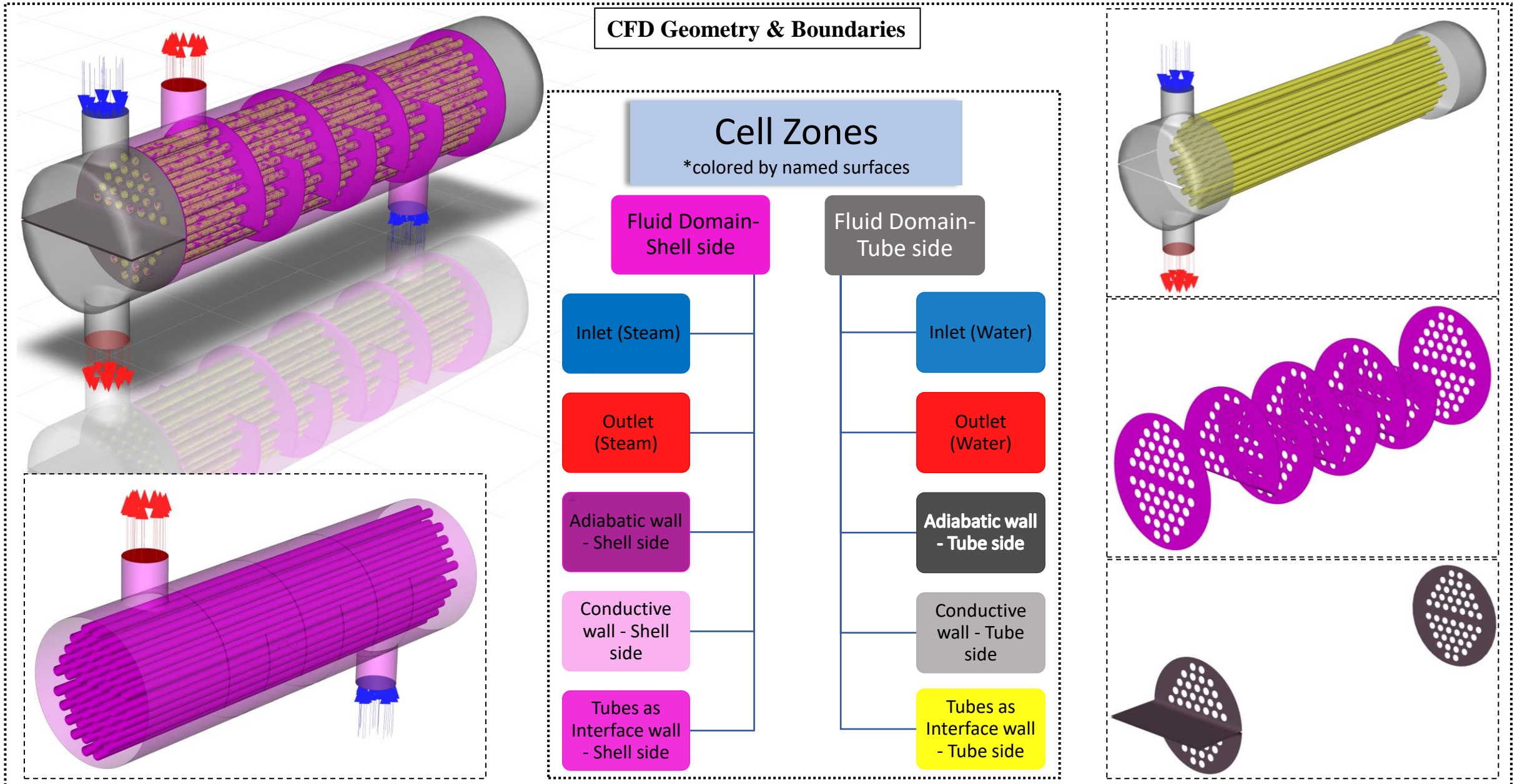


Shell & Tube Heat Exchanger (Steam $\xleftrightarrow{\text{Temperature}}$ Water)

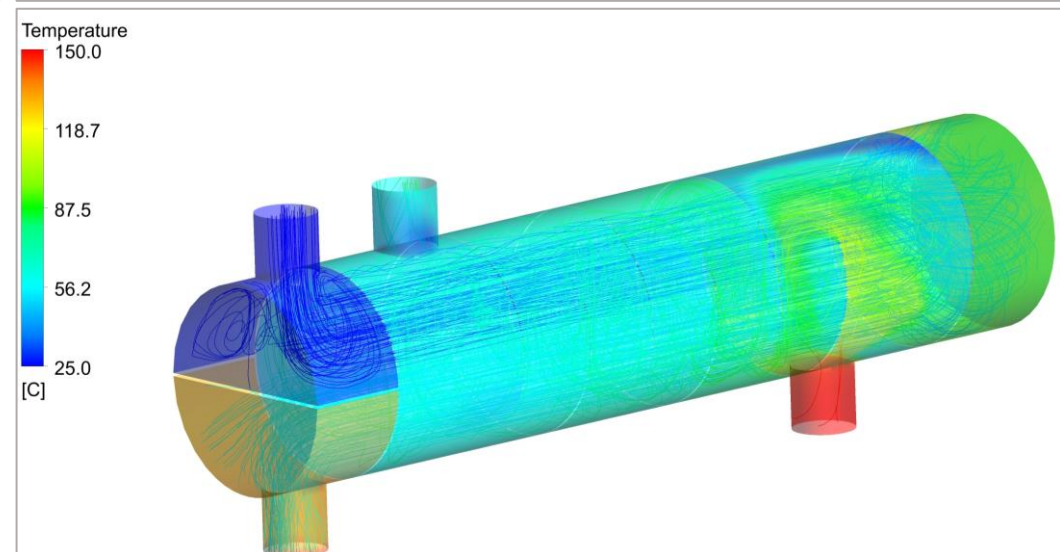
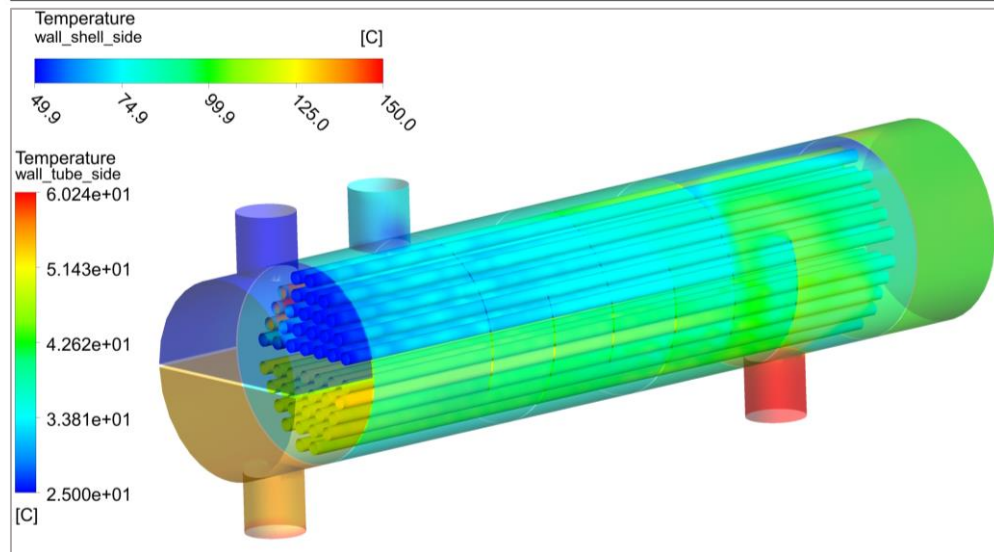
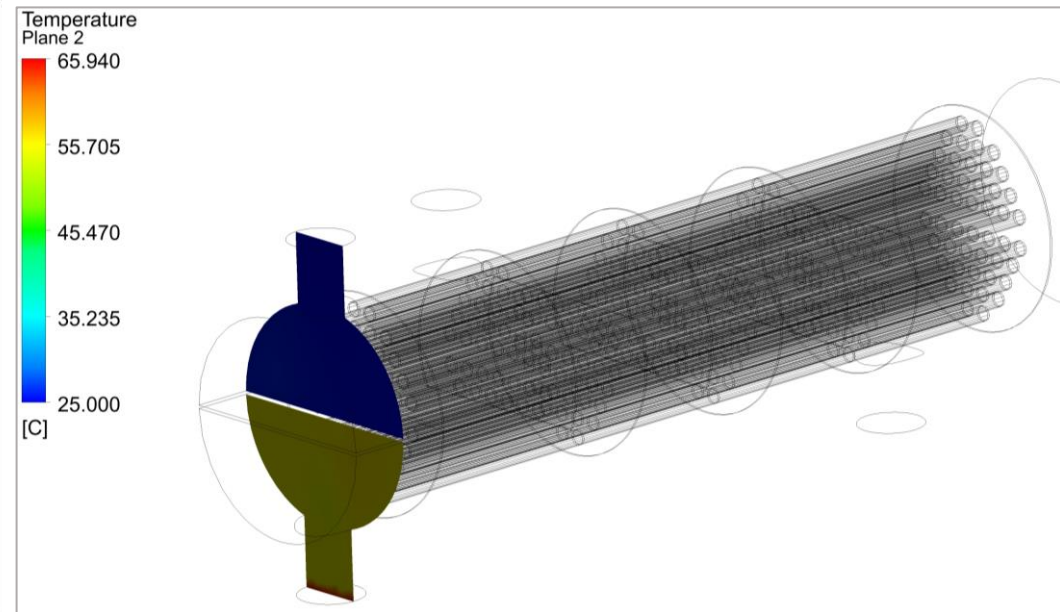
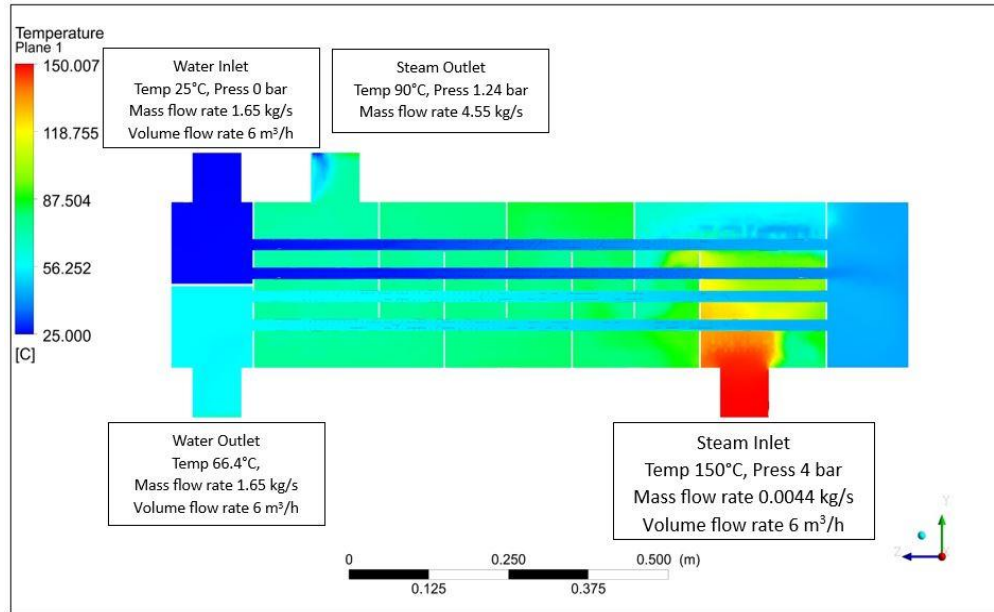
Design And CFD Analysis by Nazib Eadin



Shell & Tube Heat Exchanger (Steam \longleftrightarrow Water)

Design And CFD Analysis by Nazib Eadin

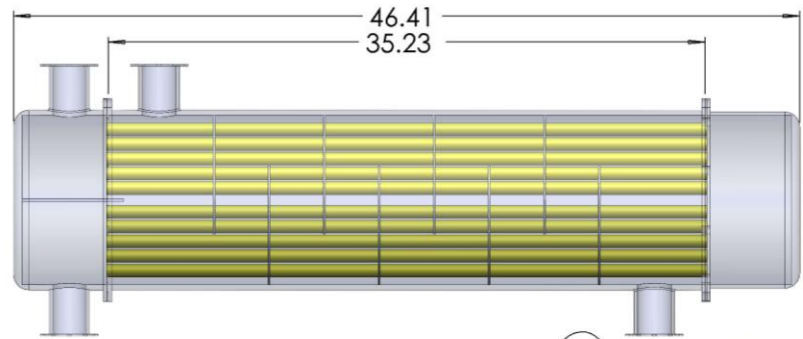
CFD Results



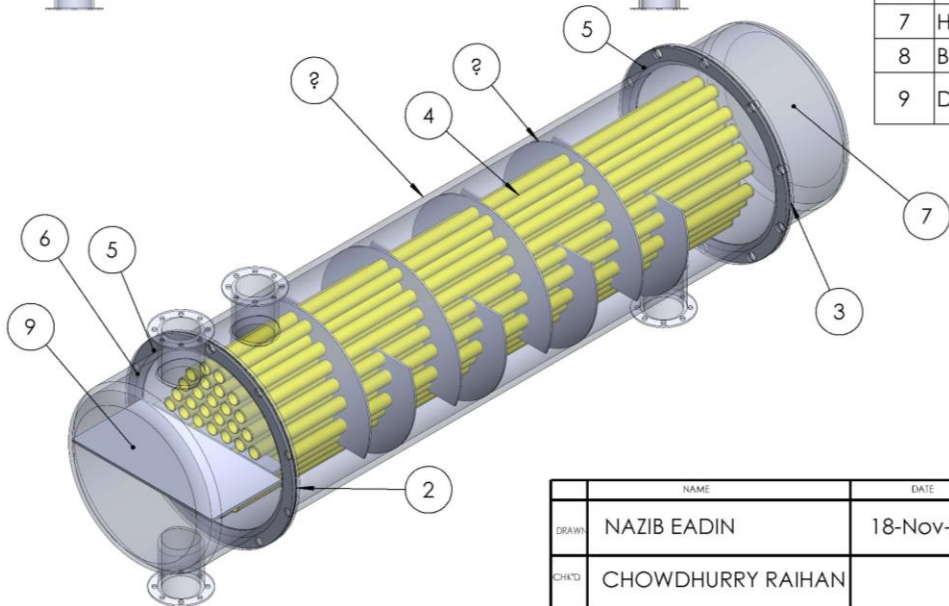
Shell & Tube Heat Exchanger (Steam ← $\xleftrightarrow{\text{Temperature}}$ → Water)

Design And CFD Analysis by Nazib Eadin

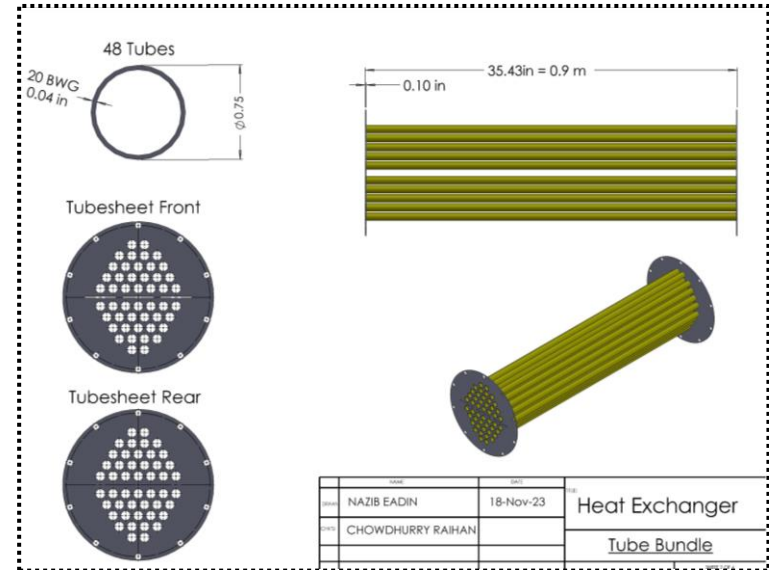
Workshop Drafts



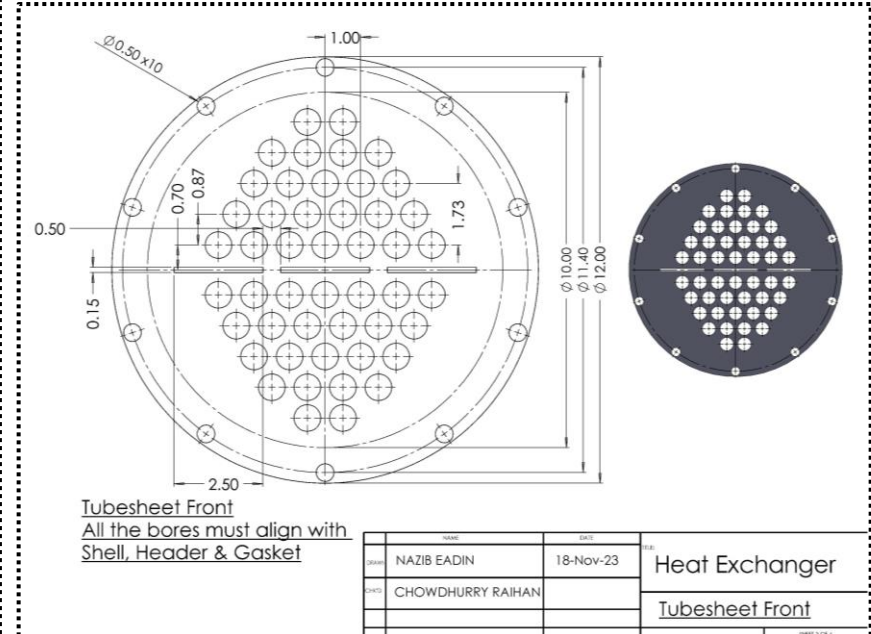
ITEM NO.	PART	DESCRIPTION	QTY.
1	Shell		1
2	Tube sheet front		1
3	Tube sheet rear		1
4	Tube 0.75in		48
5	Gasket		2
6	Header front		1
7	Header rear		1
8	Baffle 30% Cut		8
9	Divider		1



NAME	DATE	TITLE
DRAWN: NAZIB EADIN	18-Nov-23	Heat Exchanger
CHK'D: CHOWDHURY RAIHAN		
SHEET 1 OF 4		



NAME	DATE	TITLE
DRAWN: NAZIB EADIN	18-Nov-23	Heat Exchanger Tube Bundle
CHK'D: CHOWDHURY RAIHAN		



Tube sheet Front
All the bores must align with Shell, Header & Gasket

NAME	DATE	TITLE
DRAWN: NAZIB EADIN	18-Nov-23	Heat Exchanger Tube sheet Front
CHK'D: CHOWDHURY RAIHAN		